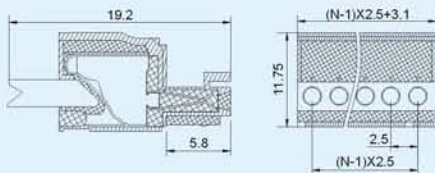




**15EDGKD-2.5**



Pitch:2.5mm;Poles:2P~24P

● **Material**

Contact : Phospor Bronze  
Housing : PA66,UL94V-0

● **Electrical**

Rated voltage : 125V  
Rated current : 4A  
Contact resistance : 20mΩ  
Insulation resistance : 5000MΩ/DC1000V  
Withstanding voltage: AC1250V/1Min  
Wire range : 28-20AWG 0.5mm<sup>2</sup>

● **Mechanical**

Temp.Range : -40°C~+105°C  
Striplength : 8-9mm

● **材质及电镀**

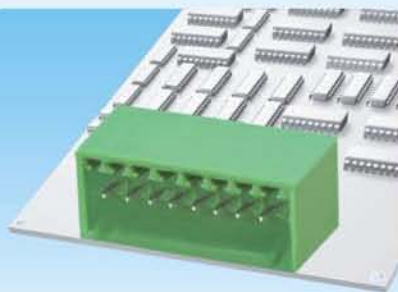
触点材料:磷青铜  
塑件 :PA66, UL94V-0

● **电气性能**

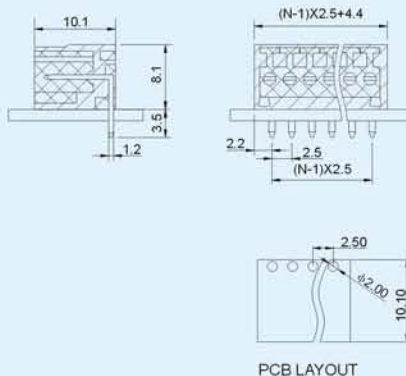
额定电压: 125V  
额定电流: 4A  
接触电阻: 20mΩ  
绝缘电阻: 5000MΩ/DC1000V  
耐电压 : AC1250V/1Min  
使用线径: 28~20AWG 0.5mm<sup>2</sup>

● **机械性能**

温度范围: -40°C~+105°C  
剥线长度: 8~9mm



**15EDGRC-2.5**



Pitch:2.5mm;Poles:2P~24P

● **Material**

Pin header : Brass,Tin plated  
Housing : PA66,UL94V-0

● **Electrical**

Rated voltage : 125V  
Rated current : 4A  
Contact resistance : 20mΩ  
Insulation resistance : 5000MΩ/DC1000V  
Withstanding voltage: AC1250V/1Min

● **Mechanical**

Temp.Range : -40°C~+105°C

● **材质及电镀**

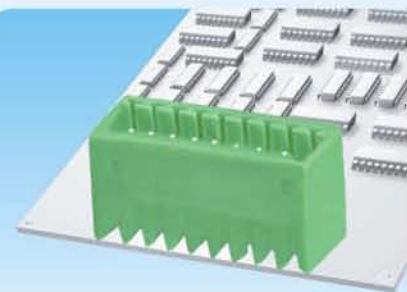
焊针 : 黄铜, 镀锡  
塑件 : PA66, UL94V-0

● **电气性能**

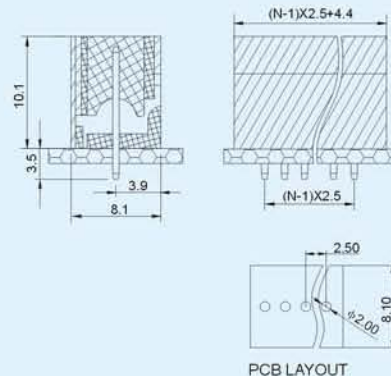
额定电压: 125V  
额定电流: 4A  
接触电阻: 20mΩ  
绝缘电阻: 5000MΩ/DC1000V  
耐电压 : AC1250V/1Min

● **机械性能**

温度范围: -40°C~+105°C



**15EDGVC-2.5**



Pitch:2.5mm;Poles:2P~24P

● **Material**

Pin header : Brass,Tin plated  
Housing : PA66,UL94V-0

● **Electrical**

Rated voltage : 125V  
Rated current : 4A  
Contact resistance : 20mΩ  
Insulation resistance : 5000MΩ/DC1000V  
Withstanding voltage: AC1250V/1Min

● **Mechanical**

Temp.Range : -40°C~+105°C

● **材质及电镀**

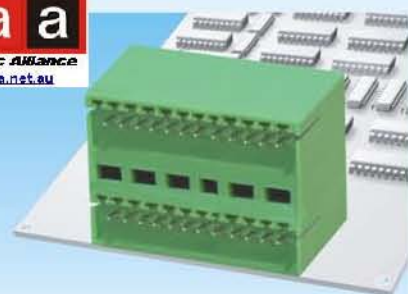
焊针 : 黄铜, 镀锡  
塑件 : PA66, UL94V-0

● **电气性能**

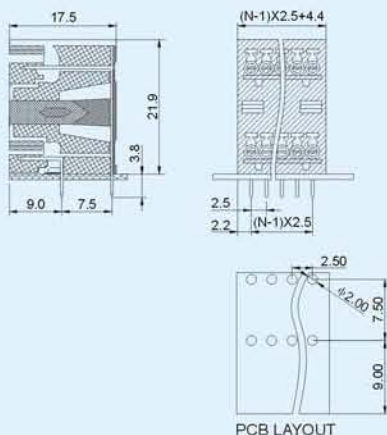
额定电压: 125V  
额定电流: 4A  
接触电阻: 20mΩ  
绝缘电阻: 5000MΩ/DC1000V  
耐电压 : AC1250V/1Min

● **机械性能**

温度范围: -40°C~+105°C



**15EDGRH-2.5**



Pitch:2.5mm;Poles:2\*(2P~24P)

● **Material**

Pin header : Brass, Tin plated  
Housing : PA66, UL94V-0

● **Electrical**

Rated voltage : 125V  
Rated current : 4A  
Contact resistance : 20mΩ  
Insulation resistance : 5000MΩ/DC1000V  
Withstanding voltage: AC1250V/1Min

● **Mechanical**

Temp.Range : -40°C~+105°C

● **材质及电镀**

焊针 : 黄铜, 镀锡  
塑件 : PA66, UL94V-0

● **电气性能**

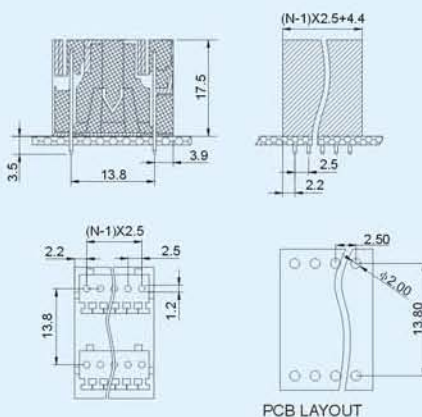
额定电压: 125V  
额定电流: 4A  
接触电阻: 20mΩ  
绝缘电阻: 5000MΩ/DC1000V  
耐电压 : AC1250V/1Min

● **机械性能**

温度范围: -40°C~+105°C



**15EDGVH-2.5**



Pitch:2.5mm;Poles:2\*(2P~24P)

● **Material**

Pin header : Brass, Tin plated  
Housing : PA66, UL94V-0

● **Electrical**

Rated voltage : 125V  
Rated current : 4A  
Contact resistance : 20mΩ  
Insulation resistance : 5000MΩ/DC1000V  
Withstanding voltage: AC1250V/1Min

● **Mechanical**

Temp.Range : -40°C~+105°C

● **材质及电镀**

焊针 : 黄铜, 镀锡  
塑件 : PA66, UL94V-0

● **电气性能**

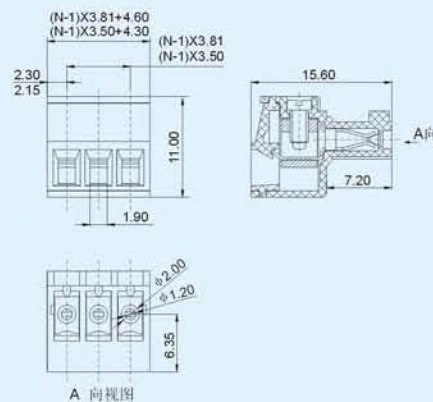
额定电压: 125V  
额定电流: 4A  
接触电阻: 20mΩ  
绝缘电阻: 5000MΩ/DC1000V  
耐电压 : AC1250V/1Min

● **机械性能**

温度范围: -40°C~+105°C



**15EDGK-3.5  
15EDGK-3.81**



Pitch:3.5mm,3.81mm;Poles:2P~24P

● **Material**

Screws : M2 steel Zinc plated  
Contact : Phosphor bronze  
Housing : PA66, UL94V-0

● **Electrical**

Rated voltage : 300V  
Rated current : 8A  
Contact resistance : 20mΩ  
Insulation resistance : 5000MΩ/DC1000V  
Withstanding voltage: AC2000V/1Min  
Wire range : 28-16AWG 1.5mm<sup>2</sup>

● **Mechanical**

Temp.Range : -40°C~+105°C  
Torque : 0.2Nm(1.7lb.in)  
Strip length : 6-7mm

● **材质及电镀**

螺丝 : M2, 钢, 镀锌  
触点材料: 磷青铜  
塑件 : PA66, UL94V-0

● **电气性能**

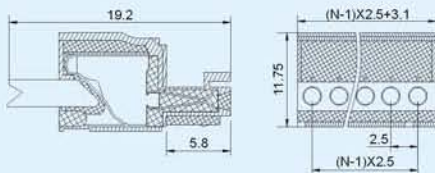
额定电压: 300V  
额定电流: 8A  
接触电阻: 20mΩ  
绝缘电阻: 5000MΩ/DC1000V  
耐电压 : AC2000V/1Min  
使用线径 : 28-16AWG 1.5mm<sup>2</sup>

● **机械性能**

温度范围: -40°C~+105°C  
扭矩 : 0.2Nm(1.7lb.in)  
剥线长度 : 6-7mm



**15EDGKD-2.5**



Pitch:2.5mm;Poles:2P~24P

● **Material**

Contact : Phospor Bronze  
Housing : PA66,UL94V-0

● **Electrical**

Rated voltage : 125V  
Rated current : 4A  
Contact resistance : 20mΩ  
Insulation resistance : 5000MΩ/DC1000V  
Withstanding voltage: AC1250V/1Min  
Wire range : 28-20AWG 0.5mm<sup>2</sup>

● **Mechanical**

Temp.Range : -40°C~+105°C  
Striplength : 8-9mm

● **材质及电镀**

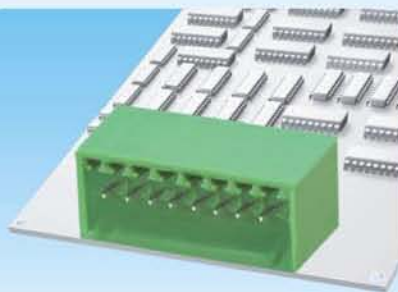
触点材料:磷青铜  
塑件 :PA66, UL94V-0

● **电气性能**

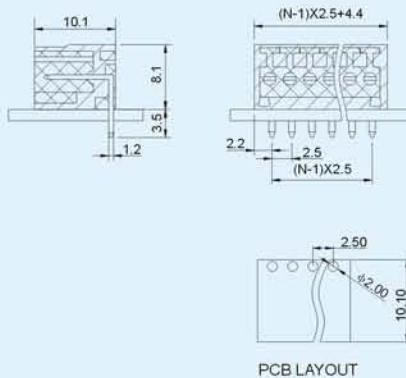
额定电压: 125V  
额定电流: 4A  
接触电阻: 20mΩ  
绝缘电阻: 5000MΩ/DC1000V  
耐电压 : AC1250V/1Min  
使用线径: 28~20AWG 0.5mm<sup>2</sup>

● **机械性能**

温度范围: -40°C~+105°C  
剥线长度: 8~9mm



**15EDGRC-2.5**



Pitch:2.5mm;Poles:2P~24P

● **Material**

Pin header : Brass,Tin plated  
Housing : PA66,UL94V-0

● **Electrical**

Rated voltage : 125V  
Rated current : 4A  
Contact resistance : 20mΩ  
Insulation resistance : 5000MΩ/DC1000V  
Withstanding voltage: AC1250V/1Min

● **Mechanical**

Temp.Range : -40°C~+105°C

● **材质及电镀**

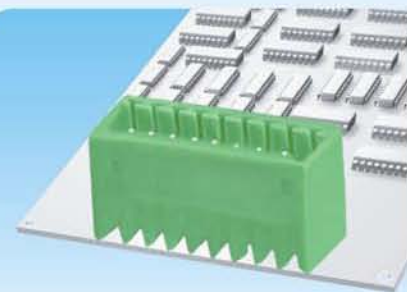
焊针 : 黄铜, 镀锡  
塑件 : PA66, UL94V-0

● **电气性能**

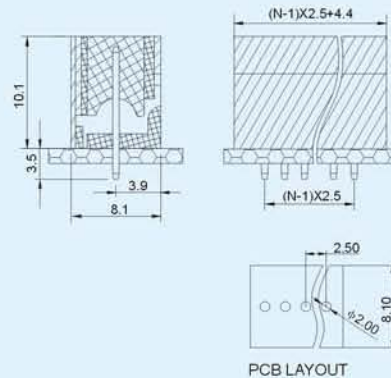
额定电压: 125V  
额定电流: 4A  
接触电阻: 20mΩ  
绝缘电阻: 5000MΩ/DC1000V  
耐电压 : AC1250V/1Min

● **机械性能**

温度范围: -40°C~+105°C



**15EDGVC-2.5**



Pitch:2.5mm;Poles:2P~24P

● **Material**

Pin header : Brass,Tin plated  
Housing : PA66,UL94V-0

● **Electrical**

Rated voltage : 125V  
Rated current : 4A  
Contact resistance : 20mΩ  
Insulation resistance : 5000MΩ/DC1000V  
Withstanding voltage: AC1250V/1Min

● **Mechanical**

Temp.Range : -40°C~+105°C

● **材质及电镀**

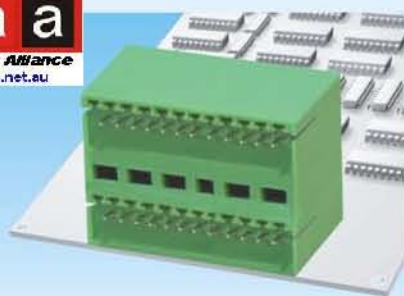
焊针 : 黄铜, 镀锡  
塑件 : PA66, UL94V-0

● **电气性能**

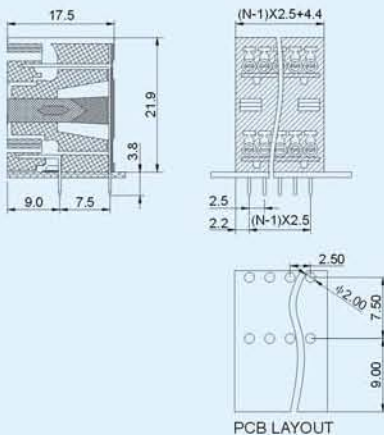
额定电压: 125V  
额定电流: 4A  
接触电阻: 20mΩ  
绝缘电阻: 5000MΩ/DC1000V  
耐电压 : AC1250V/1Min

● **机械性能**

温度范围: -40°C~+105°C



**15EDGRH-2.5**



Pitch:2.5mm;Poles:2\*(2P~24P)

● **Material**

Pin header : Brass, Tin plated  
Housing : PA66, UL94V-0

● **Electrical**

Rated voltage : 125V  
Rated current : 4A  
Contact resistance : 20mΩ  
Insulation resistance : 5000MΩ/DC1000V  
Withstanding voltage: AC1250V/1Min

● **Mechanical**

Temp.Range : -40°C~+105°C

● **材质及电镀**

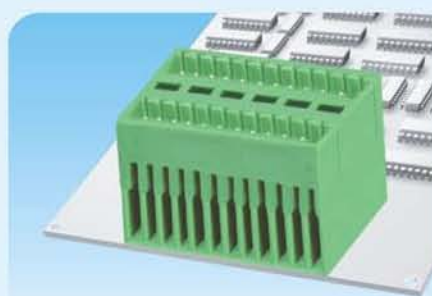
焊针 : 黄铜, 镀锡  
塑件 : PA66, UL94V-0

● **电气性能**

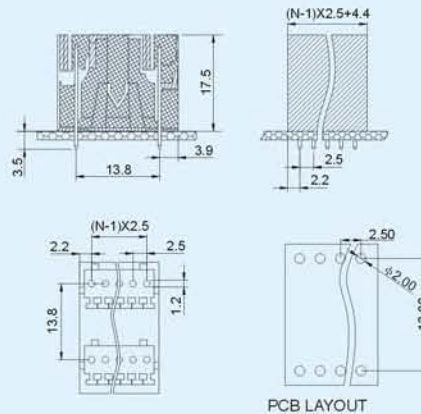
额定电压: 125V  
额定电流: 4A  
接触电阻: 20mΩ  
绝缘电阻: 5000MΩ/DC1000V  
耐电压 : AC1250V/1Min

● **机械性能**

温度范围: -40°C~+105°C



**15EDGVH-2.5**



Pitch:2.5mm;Poles:2\*(2P~24P)

● **Material**

Pin header : Brass, Tin plated  
Housing : PA66, UL94V-0

● **Electrical**

Rated voltage : 125V  
Rated current : 4A  
Contact resistance : 20mΩ  
Insulation resistance : 5000MΩ/DC1000V  
Withstanding voltage: AC1250V/1Min

● **Mechanical**

Temp.Range : -40°C~+105°C

● **材质及电镀**

焊针 : 黄铜, 镀锡  
塑件 : PA66, UL94V-0

● **电气性能**

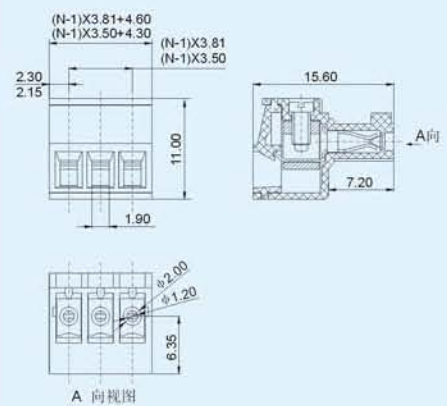
额定电压: 125V  
额定电流: 4A  
接触电阻: 20mΩ  
绝缘电阻: 5000MΩ/DC1000V  
耐电压 : AC1250V/1Min

● **机械性能**

温度范围: -40°C~+105°C



**15EDGK-3.5  
15EDGK-3.81**



Pitch:3.5mm,3.81mm;Poles:2P~24P

● **Material**

Screws : M2 steel Zinc plated  
Contact : Phosphor bronze  
Housing : PA66, UL94V-0

● **Electrical**

Rated voltage : 300V  
Rated current : 8A  
Contact resistance : 20mΩ  
Insulation resistance : 5000MΩ/DC1000V  
Withstanding voltage: AC2000V/1Min  
Wire range : 28-16AWG 1.5mm<sup>2</sup>

● **Mechanical**

Temp.Range : -40°C~+105°C  
Torque : 0.2Nm(1.7lb.in)  
Strip length : 6-7mm

● **材质及电镀**

螺丝 : M2, 钢, 镀锌  
触点材料: 磷青铜  
塑件 : PA66, UL94V-0

● **电气性能**

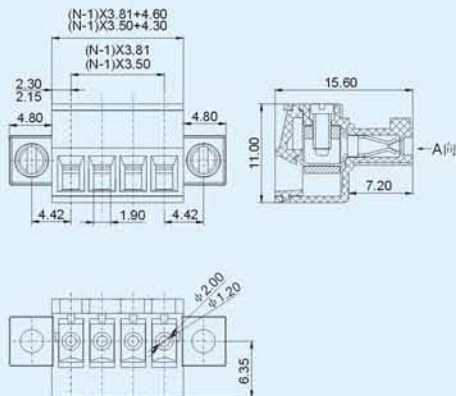
额定电压: 300V  
额定电流: 8A  
接触电阻: 20mΩ  
绝缘电阻: 5000MΩ/DC1000V  
耐电压 : AC2000V/1Min  
使用线径 : 28-16AWG 1.5mm<sup>2</sup>

● **机械性能**

温度范围: -40°C~+105°C  
扭矩 : 0.2Nm(1.7lb.in)  
剥线长度 : 6-7mm



**15EDGKM-3.5**  
**15EDGKM-3.81**



Pitch: 3.5mm, 3.81mm; Poles: 2P~20P

**Material**

Screws : M2 steel Zinc plated  
Contact : Phosphor bronze  
Housing : PA66, UL94V-0

**Electrical**

Rated voltage : 300V  
Rated current : 8A  
Contact resistance : 20mΩ  
Insulation resistance: 5000MΩ / DC1000V  
Withstanding voltage: AC2000V/1Min  
Wire range : 28-16AWG 1.5mm<sup>2</sup>

**Mechanical**

Temp. Range : -40°C~+105°C  
Torque : 0.2Nm(1.7lb.in)  
Strip length : 6-7mm

**材质及电镀**

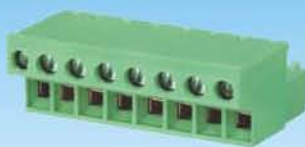
螺丝 : M2, 钢, 镀锌  
触点材料: 磷青铜  
塑件 : PA66, UL94V-0

**电气性能**

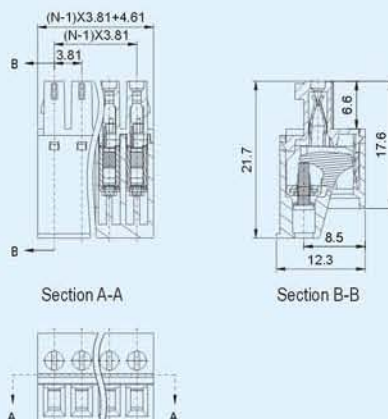
额定电压 : 300V  
额定电流 : 8A  
接触电阻 : 20mΩ  
绝缘电阻 : 5000MΩ / DC1000V  
耐电压 : AC2000V/1Min  
使用线径 : 28-16AWG 1.5mm<sup>2</sup>

**机械性能**

温度范围 : -40°C~+105°C  
扭矩 : 0.2Nm(1.7lb.in)  
剥线长度 : 6-7mm



**15EDGKC-3.81**



Pitch: 3.81mm; Poles: 2P~24P

**Material**

Screws : M2, steel, Zinc plated  
Contact : Phosphor Bronze  
Housing : PA66, UL94V-0

**Electrical**

Rated voltage : 300V  
Rated current : 8A  
Contact resistance : 20mΩ  
Insulation resistance: 5000MΩ / 1000V  
Withstanding voltage: AC2000V/1Min  
Wire range : 28-16AWG 1.5mm<sup>2</sup>

**Mechanical**

Temp. Range : -40°C~+105°C  
Torque : 0.2Nm(1.7lb.in)  
Strip length : 9-10mm

**材质及电镀**

螺丝 : M2, 钢, 镀锌  
触点材料: 磷青铜  
塑件 : PA66, UL94V-0

**电气性能**

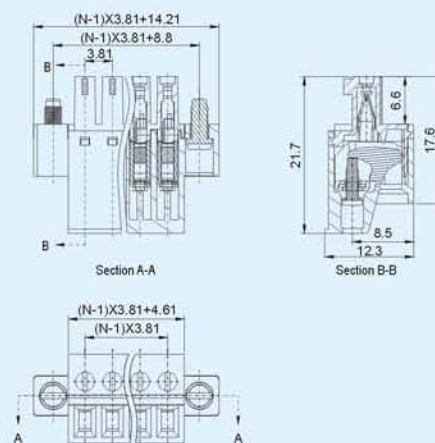
额定电压 : 300V  
额定电流 : 8A  
接触电阻 : 20mΩ  
绝缘电阻 : 5000MΩ / DC1000V  
耐电压 : AC2000V/1Min  
使用线径 : 28-16AWG 1.5mm<sup>2</sup>

**机械性能**

温度范围 : -40°C~+105°C  
扭矩 : 0.2Nm(1.7lb.in)  
剥线长度 : 9-10mm



**15EDGKCM-3.81**



Pitch: 3.81mm; Poles: 2P~20P

**Material**

Screws : M2, steel, Zinc plated  
Contact : Phosphor Bronze  
Housing : PA66, UL94V-0

**Electrical**

Rated voltage : 300V  
Rated current : 8A  
Contact resistance : 20mΩ  
Insulation resistance: 5000MΩ / DC1000V  
Withstanding voltage: AC2000V/1Min  
Wire range : 28-16AWG 1.5mm<sup>2</sup>

**Mechanical**

Temp. Range : -40°C~+105°C  
Torque : 0.2Nm(1.7lb.in)  
Strip length : 9-10mm

**材质及电镀**

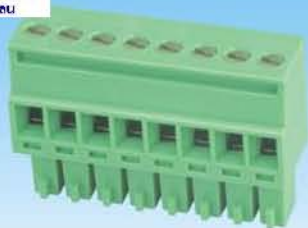
螺丝 : M2, 钢, 镀锌  
触点材料: 磷青铜  
塑件 : PA66, UL94V-0

**电气性能**

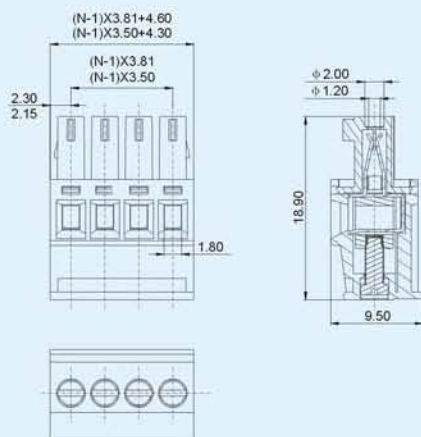
额定电压 : 300V  
额定电流 : 8A  
接触电阻 : 20mΩ  
绝缘电阻 : 5000MΩ / DC1000V  
耐电压 : AC2000V/1Min  
使用线径 : 28-16AWG 1.5mm<sup>2</sup>

**机械性能**

温度范围 : -40°C~+105°C  
扭矩 : 0.2Nm(1.7lb.in)  
剥线长度 : 9-10mm



**15EDGKA-3.5**  
**15EDGKA-3.81**



Pitch:3.5mm,3.81mm;Poles:2P~24P

● **Material**

Screws : M2 steel Zinc plated  
Contact : Phosphor bronze  
Housing : PBT, UL94V-0

● **Electrical**

Rated voltage : 300V  
Rated current : 8A  
Contact resistance : 20mΩ  
Insulation resistance: 5000MΩ / DC1000V  
Withstanding voltage: AC2000V/1Min  
Wire range : 28-16AWG 1.5mm<sup>2</sup>

● **Mechanical**

Temp.Range : -30°C~+120°C  
Torque : 0.2Nm(1.7lb.in)  
Strip length : 6-7mm

● **材质及电镀**

螺丝 : M2, 钢, 镀锌  
触点材料: 磷青铜  
塑件 : PBT, UL94V-0

● **电气性能**

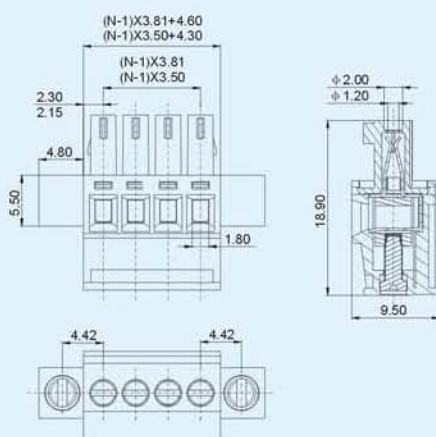
额定电压 : 300V  
额定电流 : 8A  
接触电阻 : 20mΩ  
绝缘电阻 : 5000MΩ / DC1000V  
耐电压 : AC2000V/1Min  
使用线径 : 28-16AWG 1.5mm<sup>2</sup>

● **机械性能**

温度范围 : -30°C~+120°C  
扭矩 : 0.2Nm(1.7lb.in)  
剥线长度 : 6-7mm



**15EDGKAM-3.5**  
**15EDGKAM-3.81**



Pitch:3.5mm,3.81mm;Poles:2P~20P

● **Material**

Screws : M2 steel Zinc plated  
Contact : Phosphor bronze  
Housing : PBT, UL94V-0

● **Electrical**

Rated voltage : 300V  
Rated current : 8A  
Contact resistance : 20mΩ  
Insulation resistance: 5000MΩ / DC1000V  
Withstanding voltage: AC2000V/1Min  
Wire range : 28-16AWG 1.5mm<sup>2</sup>

● **Mechanical**

Temp.Range : -30°C~+120°C  
Torque : 0.2Nm(1.7lb.in)  
Strip length : 6-7mm

● **材质及电镀**

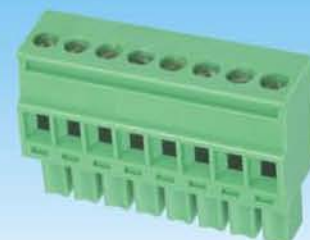
螺丝 : M2, 钢, 镀锌  
触点材料: 磷青铜  
塑件 : PBT, UL94V-0

● **电气性能**

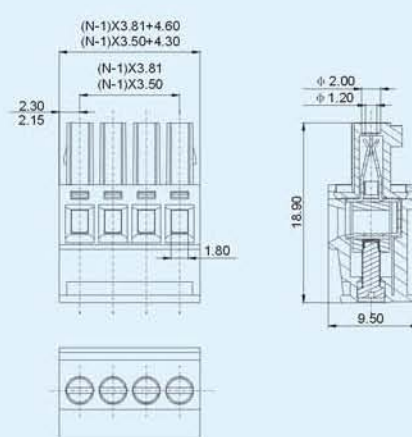
额定电压 : 300V  
额定电流 : 8A  
接触电阻 : 20mΩ  
绝缘电阻 : 5000MΩ / DC1000V  
耐电压 : AC2000V/1Min  
使用线径 : 28-16AWG 1.5mm<sup>2</sup>

● **机械性能**

温度范围 : -30°C~+120°C  
扭矩 : 0.2Nm(1.7lb.in)  
剥线长度 : 6-7mm



**15EDGKB-3.5**  
**15EDGKB-3.81**



Pitch:3.5mm,3.81mm;Poles:2P~24P

● **Material**

Screws : M2 steel Zinc plated  
Contact : Phosphor bronze  
Housing : PBT, UL94V-0

● **Electrical**

Rated voltage : 300V  
Rated current : 8A  
Contact resistance : 20mΩ  
Insulation resistance: 5000MΩ / DC1000V  
Withstanding voltage: AC2000V/1Min  
Wire range : 28-16AWG 1.5mm<sup>2</sup>

● **Mechanical**

Temp.Range : -30°C~+120°C  
Torque : 0.2Nm(1.7lb.in)  
Strip length : 6-7mm

● **材质及电镀**

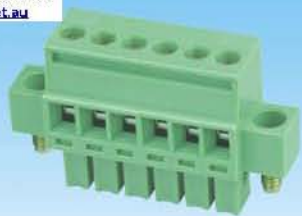
螺丝 : M2, 钢, 镀锌  
触点材料: 磷青铜  
塑件 : PBT, UL94V-0

● **电气性能**

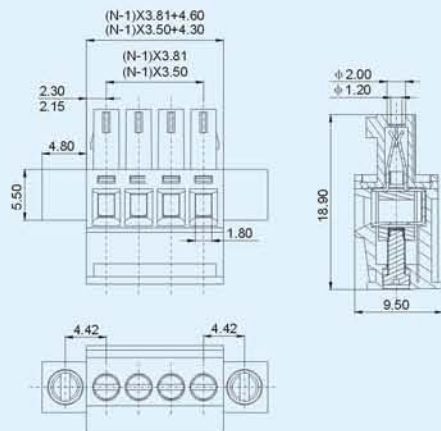
额定电压 : 300V  
额定电流 : 8A  
接触电阻 : 20mΩ  
绝缘电阻 : 5000MΩ / DC1000V  
耐电压 : AC2000V/1Min  
使用线径 : 28-16AWG 1.5mm<sup>2</sup>

● **机械性能**

温度范围 : -30°C~+120°C  
扭矩 : 0.2Nm(1.7lb.in)  
剥线长度 : 6-7mm



**15EDGKBM-3.5**  
**15EDGKBM-3.81**



Pitch:3.5mm,3.81mm;Poles:2P~20P

● **Material**

Screws : M2 steel Zinc plated  
Contact : Phosphor bronze  
Housing : PBT, UL94V-0

● **Electrical**

Rated voltage : 300V  
Rated current : 8A  
Contact resistance : 20mΩ  
Insulation resistance: 5000MΩ / DC1000V  
Withstanding voltage: AC2000V/1Min  
Wire range : 28-16AWG 1.5mm<sup>2</sup>

● **Mechanical**

Temp.Range : -30°C~+120°C  
Torque : 0.2Nm(1.7lb.in)  
Strip length : 6-7mm

● **材质及电镀**

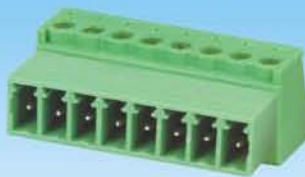
螺丝 : M2, 钢, 镀锌  
触点材料: 磷青铜  
塑件 : PBT, UL94V-0

● **电气性能**

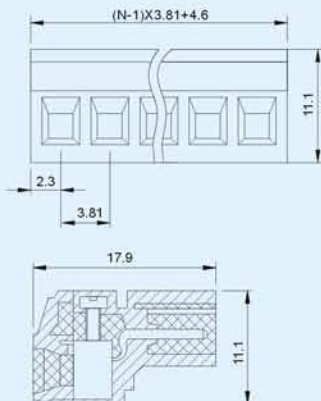
额定电压 : 300V  
额定电流 : 8A  
接触电阻 : 20mΩ  
绝缘电阻 : 5000MΩ / DC1000V  
耐电压 : AC2000V/1Min  
使用线径 : 28-16AWG 1.5mm<sup>2</sup>

● **机械性能**

温度范围 : -30°C~+120°C  
扭矩 : 0.2Nm(1.7lb.in)  
剥线长度 : 6-7mm



**15EDGKR-3.81**



Pitch:3.81mm;Poles:2P~24P

● **Material**

Screws : M2, steel, Zinc plated  
Contact : Phosphor Bronze  
Housing : PA66, UL94V-0

● **Electrical**

Rated voltage : 300V  
Rated current : 8A  
Contact resistance : 20mΩ  
Insulation resistance: 5000MΩ / DC1000V  
Withstanding voltage: AC2000V/1Min  
Wire range : 28-16AWG 1.5mm<sup>2</sup>

● **Mechanical**

Temp.Range : -40°C~+105°C  
Torque : 0.2Nm(1.7lb.in)  
Strip length : 7-8mm

● **材质及电镀**

螺丝 : M2, 钢, 镀锌  
触点材料: 磷青铜  
塑件 : PA66, UL94V-0

● **电气性能**

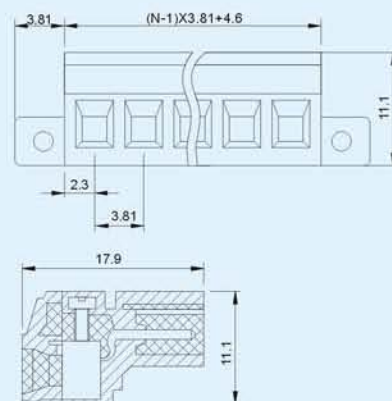
额定电压 : 300V  
额定电流 : 8A  
接触电阻 : 20mΩ  
绝缘电阻 : 5000MΩ / DC1000V  
耐电压 : AC2000V/1Min  
使用线径 : 28-16AWG 1.5mm<sup>2</sup>

● **机械性能**

温度范围 : -40°C~+105°C  
扭矩 : 0.2Nm(1.7lb.in)  
剥线长度 : 7-8mm



**15EDGKR-3.81**



Pitch:3.81mm;Poles:2P~20P

● **Material**

Screws : M2, steel, Zinc plated  
Contact : Phosphor Bronze  
Housing : PA66, UL94V-0

● **Electrical**

Rated voltage : 300V  
Rated current : 8A  
Contact resistance : 20mΩ  
Insulation resistance: 5000MΩ / DC1000V  
Withstanding voltage: AC2000V/1Min  
Wire range : 28-16AWG 1.5mm<sup>2</sup>

● **Mechanical**

Temp.Range : -40°C~+105°C  
Torque : 0.2Nm(1.7lb.in)  
Strip length : 7-8mm

● **材质及电镀**

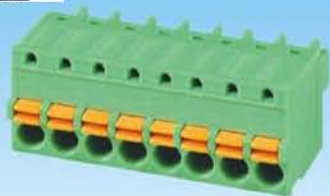
螺丝 : M2, 钢, 镀锌  
触点材料: 磷青铜  
塑件 : PA66, UL94V-0

● **电气性能**

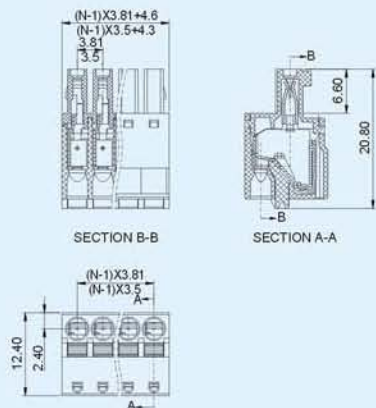
额定电压 : 300V  
额定电流 : 8A  
接触电阻 : 20mΩ  
绝缘电阻 : 5000MΩ / DC1000V  
耐电压 : AC2000V/1Min  
使用线径 : 28-16AWG 1.5mm<sup>2</sup>

● **机械性能**

温度范围 : -40°C~+105°C  
扭矩 : 0.2Nm(1.7lb.in)  
剥线长度 : 7-8mm



**15EDGKD-3.5**  
**15EDGKD-3.81**



Pitch: 3.5mm, 3.81mm; Poles: 2P~24P

● **Material**

Contact : Phosphor Bronze, Tin Plated  
Housing : PA66, UL94V-0

● **Electrical**

Rated voltage : 300V  
Rated current : 8A  
Contact resistance : 20mΩ  
Insulation resistance : 5000MΩ/DC1000V  
Withstanding voltage : AC2000V/1Min  
Wire range : 28-16AWG 1.5mm<sup>2</sup>

● **Mechanical**

Temp. Range : -40°C~+105°C  
Strip length : 7-8mm

● **材质及电镀**

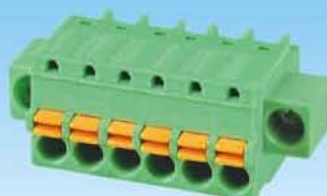
触点材料: 磷青铜, 镀锡  
塑件 : PA66, UL94V-0

● **电气性能**

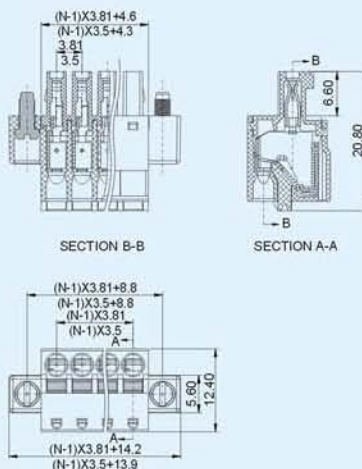
额定电压: 300V  
额定电流: 8A  
接触电阻: 20mΩ  
绝缘电阻: 5000MΩ/DC1000V  
耐电压 : AC2000V/1Min  
使用线径: 28-16AWG 1.5mm<sup>2</sup>

● **机械性能**

温度范围: -40°C~+105°C  
剥线长度: 7-8mm



**15EDGKDM-3.5**  
**15EDGKDM-3.81**



Pitch: 3.5mm, 3.81mm; Poles: 2P~20P

● **Material**

Contact : Phosphor Bronze, Tin Plated  
Housing : PA66, UL94V-0

● **Electrical**

Rated voltage : 300V  
Rated current : 8A  
Contact resistance : 20mΩ  
Insulation resistance : 5000MΩ/DC1000V  
Withstanding voltage : AC2000V/1Min  
Wire range : 28-16AWG 1.5mm<sup>2</sup>

● **Mechanical**

Temp. Range : -40°C~+105°C  
Strip length : 7-8mm

● **材质及电镀**

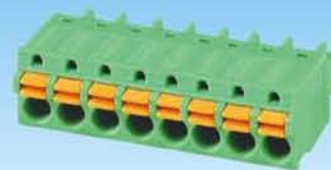
触点材料: 磷青铜, 镀锡  
塑件 : PA66, UL94V-0

● **电气性能**

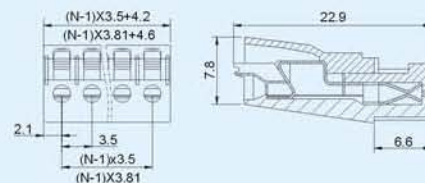
额定电压: 300V  
额定电流: 8A  
接触电阻: 20mΩ  
绝缘电阻: 5000MΩ/DC1000V  
耐电压 : AC2000V/1Min  
使用线径: 28-16AWG 1.5mm<sup>2</sup>

● **机械性能**

温度范围: -40°C~+105°C  
剥线长度: 7-8mm



**15EDGKN-3.5**  
**15EDGKN-3.81**



Pitch: 3.5mm, 3.81mm; Poles: 2P~24P

● **Material**

Contact : Phosphor Bronze, Tin Plated  
Housing : PA66, UL94V-0

● **Electrical**

Rated voltage : 300V  
Rated current : 8A  
Contact resistance : 20mΩ  
Insulation resistance : 5000MΩ/DC1000V  
Withstanding voltage : AC2000V/1Min  
Wire range : 28-16AWG 1.5mm<sup>2</sup>

● **Mechanical**

Temp. Range : -40°C~+105°C  
Strip length : 7-8mm

● **材质及电镀**

触点材料: 磷青铜, 镀锡  
塑件 : PA66, UL94V-0

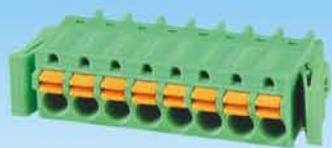
● **电气性能**

额定电压: 300V  
额定电流: 8A  
接触电阻: 20mΩ  
绝缘电阻: 5000MΩ/DC1000V  
耐电压 : AC2000V/1Min  
使用线径: 28-16AWG 1.5mm<sup>2</sup>

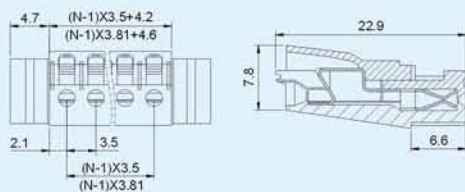
● **机械性能**

温度范围: -40°C~+105°C  
剥线长度: 7-8mm





**15EDGKNG-3.5**  
**15EDGKNG-3.81**



Pitch:3.5mm,3.81mm;Poles:2P~24P

● **Material**

Contact : Phosphor Bronze,Tin Plated  
Housing : PA66,UL94V-0

● **Electrical**

Rated voltage : 300V  
Rated current : 8A  
Contact resistance : 20mΩ  
Insulation resistance : 5000MΩ/DC1000V  
Withstanding voltage: AC2000V/1Min  
Wire range : 28-16AWG 1.5mm<sup>2</sup>

● **Mechanical**

Temp.Range : -40°C~+105°C  
Strip length : 7-8mm

● **材质及电镀**

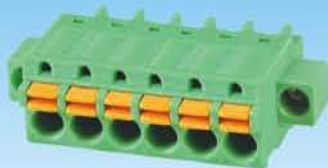
触点材料: 磷青铜, 镀锡  
塑件 : PA66, UL94V-0

● **电气性能**

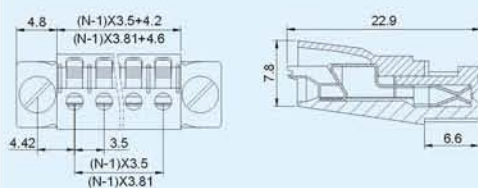
额定电压: 300V  
额定电流: 8A  
接触电阻: 20mΩ  
绝缘电阻: 5000MΩ/DC1000V  
耐电压 : AC2000V/1Min  
使用线径: 28-16AWG 1.5mm<sup>2</sup>

● **机械性能**

温度范围: -40°C~+105°C  
剥线长度: 7-8mm



**15EDGKNM-3.5**  
**15EDGKNM-3.81**



Pitch:3.5mm,3.81mm;Poles:2P~20P

● **Material**

Contact : Phosphor Bronze,Tin Plated  
Housing : PA66,UL94V-0

● **Electrical**

Rated voltage : 300V  
Rated current : 8A  
Contact resistance : 20mΩ  
Insulation resistance : 5000MΩ/DC1000V  
Withstanding voltage: AC2000V/1Min  
Wire range : 28-16AWG 1.5mm<sup>2</sup>

● **Mechanical**

Temp.Range : -40°C~+105°C  
Strip length : 7-8mm

● **材质及电镀**

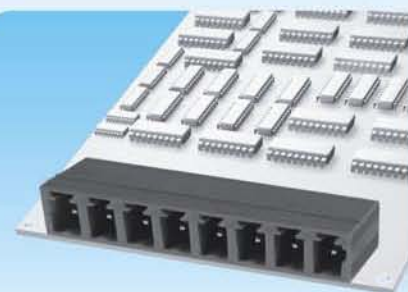
触点材料: 磷青铜, 镀锡  
塑件 : PA66, UL94V-0

● **电气性能**

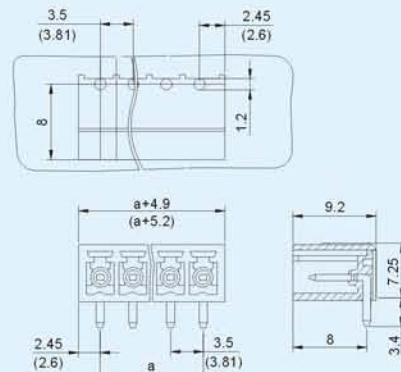
额定电压: 300V  
额定电流: 8A  
接触电阻: 20mΩ  
绝缘电阻: 5000MΩ/DC1000V  
耐电压 : AC2000V/1Min  
使用线径: 28-16AWG 1.5mm<sup>2</sup>

● **机械性能**

温度范围: -40°C~+105°C  
剥线长度: 7-8mm



**15EDGRC-THT-3.5**  
**15EDGRC-THT-3.81**



Pitch:3.5mm,3.81mm;Poles:2P~24P

● **Material**

Pin header : Brass, Tin plated  
Housing : LCP,UL94V-0

● **Electrical**

Rated voltage : 300V  
Rated current : 8A  
Contact resistance : 20mΩ  
Insulation resistance: 5000MΩ/DC1000V  
Withstanding voltage: AC2000V/1Min

● **Mechanical**

Temp.Range : -40°C~+260°C

● **材质及电镀**

焊针 : 黄铜, 镀锡  
塑件 : LCP, UL94V-0

● **电气性能**

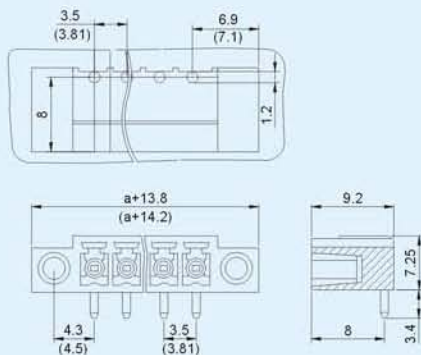
额定电压: 300V  
额定电流: 8A  
接触电阻: 20mΩ  
绝缘电阻: 5000MΩ/DC1000V  
耐电压 : AC2000V/1Min

● **机械性能**

温度范围: -40°C~+260°C



**15EDGRM-THT-3.5**  
**15EDGRM-THT-3.81**



Pitch:3.5mm,3.81mm;Poles:2P~20P

• **Material**

Pin header : Brass, Tin plated  
Housing : LCP,UL94V-0  
Nut : M2.5, Brass

• **Electrical**

Rated voltage : 300V  
Rated current : 8A  
Contact resistance : 20mΩ  
Insulation resistance: 5000MΩ/DC1000V  
Withstanding voltage: AC2000V/1Min

• **Mechanical**

Temp.Range : -40°C~+260°C

• **材质及电镀**

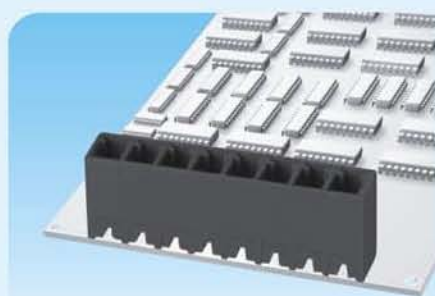
焊针 : 黄铜, 镀锡  
塑件 : LCP, UL94V-0  
螺母 : M2.5, 黄铜

• **电气性能**

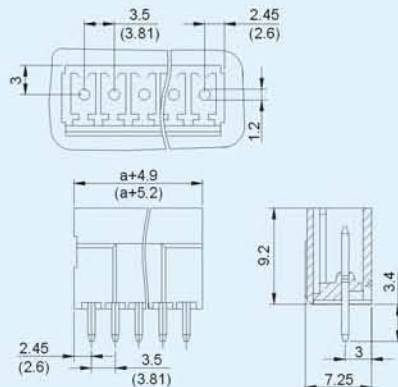
额定电压 : 300V  
额定电流 : 8A  
接触电阻 : 20mΩ  
绝缘电阻 : 5000MΩ/DC1000V  
耐电压 : AC2000V/1Min

• **机械性能**

温度范围 : -40°C~+260°C



**15EDGVC-THT-3.5**  
**15EDGVC-THT-3.81**



Pitch:3.5mm,3.81mm;Poles:2P~24P

• **Material**

Pin header : Brass, Tin plated  
Housing : LCP,UL94V-0

• **Electrical**

Rated voltage : 300V  
Rated current : 8A  
Contact resistance : 20mΩ  
Insulation resistance: 5000MΩ/DC1000V  
Withstanding voltage: AC2000V/1Min

• **Mechanical**

Temp.Range : -40°C~+260°C

• **材质及电镀**

焊针 : 黄铜, 镀锡  
塑件 : LCP, UL94V-0

• **电气性能**

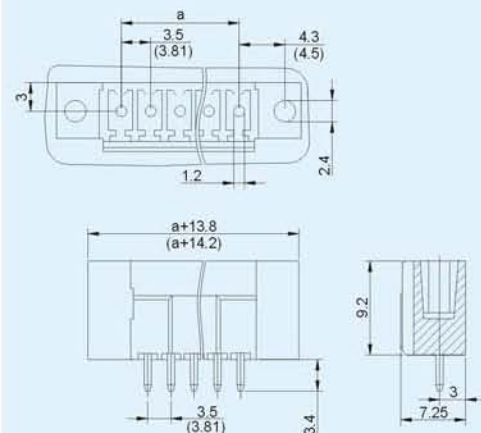
额定电压 : 300V  
额定电流 : 8A  
接触电阻 : 20mΩ  
绝缘电阻 : 5000MΩ/DC1000V  
耐电压 : AC2000V/1Min

• **机械性能**

温度范围 : -40°C~+260°C



**15EDGVM-THT-3.5**  
**15EDGVM-THT-3.81**



Pitch:3.5mm,3.81mm;Poles:2P~20P

• **Material**

Pin header : Brass, Tin plated  
Housing : LCP,UL94V-0  
Nut : M2.5, Brass

• **Electrical**

Rated voltage : 300V  
Rated current : 8A  
Contact resistance : 20mΩ  
Insulation resistance: 5000MΩ/DC1000V  
Withstanding voltage: AC2000V/1Min

• **Mechanical**

Temp.Range : -40°C~+260°C

• **材质及电镀**

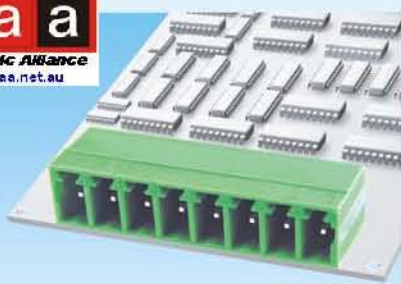
焊针 : 黄铜, 镀锡  
塑件 : LCP, UL94V-0  
螺母 : M2.5, 黄铜

• **电气性能**

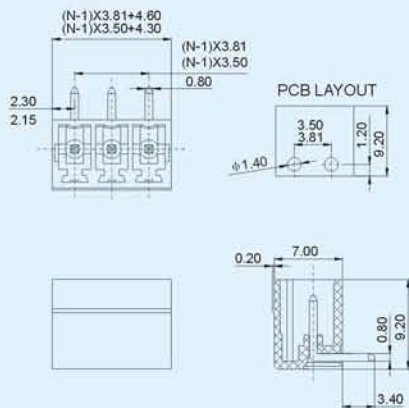
额定电压 : 300V  
额定电流 : 8A  
接触电阻 : 20mΩ  
绝缘电阻 : 5000MΩ/DC1000V  
耐电压 : AC2000V/1Min

• **机械性能**

温度范围 : -40°C~+260°C



**15EDGRC-3.5**  
**15EDGRC-3.81**



Pitch: 3.5mm, 3.81mm; Poles: 2P~24P

• **Material**

Pin header : Brass, Tin plated  
Housing : PA66, UL94V-0

• **Electrical**

Rated voltage : 300V  
Rated current : 8A  
Contact resistance : 20m $\Omega$   
Insulation resistance: 5000M $\Omega$ /DC1000V  
Withstanding voltage: AC2000V/1Min

• **Mechanical**

Temp. Range : -40 $^{\circ}$ C~+105 $^{\circ}$ C

• **材质及电镀**

焊针 : 黄铜, 镀锡  
塑件 : PA66, UL94V-0

• **电气性能**

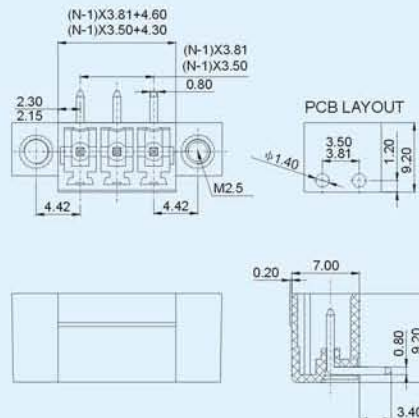
额定电压 : 300V  
额定电流 : 8A  
接触电阻 : 20m $\Omega$   
绝缘电阻 : 5000M $\Omega$ /DC1000V  
耐电压 : AC2000V/1Min

• **机械性能**

温度范围 : -40 $^{\circ}$ C~+105 $^{\circ}$ C



**15EDGRM-3.5**  
**15EDGRM-3.81**



Pitch: 3.5mm, 3.81mm; Poles: 2P~20P

• **Material**

Pin header : Brass, Tin plated  
Housing : PA66, UL94V-0  
Nut : M2.5, Brass

• **Electrical**

Rated voltage : 300V  
Rated current : 8A  
Contact resistance : 20m $\Omega$   
Insulation resistance: 5000M $\Omega$ /DC1000V  
Withstanding voltage: AC2000V/1Min

• **Mechanical**

Temp. Range : -40 $^{\circ}$ C~+105 $^{\circ}$ C

• **材质及电镀**

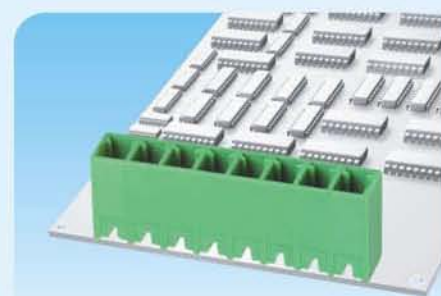
焊针 : 黄铜, 镀锡  
塑件 : PA66, UL94V-0  
螺母 : M2.5, 黄铜

• **电气性能**

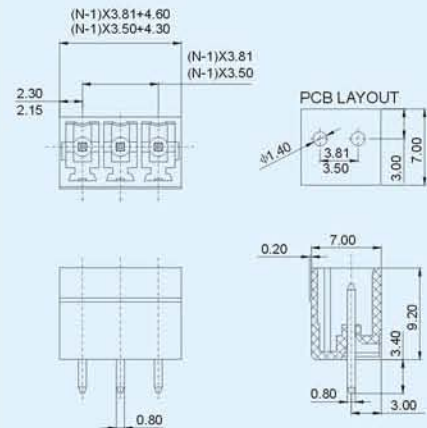
额定电压 : 300V  
额定电流 : 8A  
接触电阻 : 20m $\Omega$   
绝缘电阻 : 5000M $\Omega$ /DC1000V  
耐电压 : AC2000V/1Min

• **机械性能**

温度范围 : -40 $^{\circ}$ C~+105 $^{\circ}$ C



**15EDGVC-3.5**  
**15EDGVC-3.81**



Pitch: 3.5mm, 3.81mm; Poles: 2P~24P

• **Material**

Pin header : Brass, Tin plated  
Housing : PA66, UL94V-0

• **Electrical**

Rated voltage : 300V  
Rated current : 8A  
Contact resistance : 20m $\Omega$   
Insulation resistance: 5000M $\Omega$ /DC1000V  
Withstanding voltage: AC2000V/1Min

• **Mechanical**

Temp. Range : -40 $^{\circ}$ C~+105 $^{\circ}$ C

• **材质及电镀**

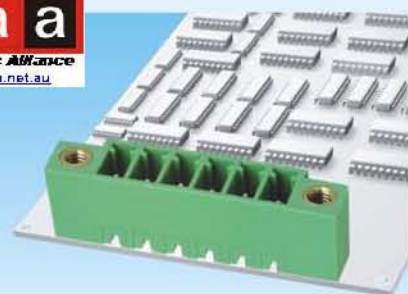
焊针 : 黄铜, 镀锡  
塑件 : PA66, UL94V-0

• **电气性能**

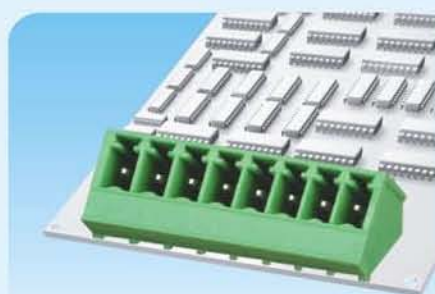
额定电压 : 300V  
额定电流 : 8A  
接触电阻 : 20m $\Omega$   
绝缘电阻 : 5000M $\Omega$ /DC1000V  
耐电压 : AC2000V/1Min

• **机械性能**

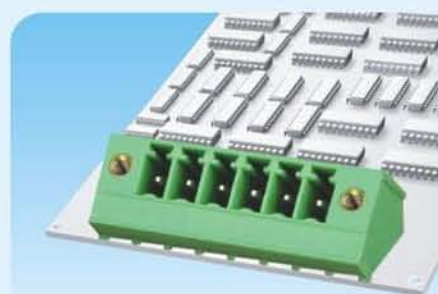
温度范围 : -40 $^{\circ}$ C~+105 $^{\circ}$ C



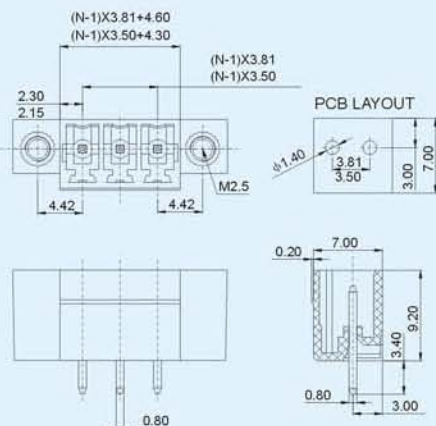
**15EDGVM-3.5**  
**15EDGVM-3.81**



**15EDGLC-3.5**  
**15EDGLC-3.81**



**15EDGLM-3.5**  
**15EDGLM-3.81**



Pitch: 3.5mm, 3.81mm; Poles: 2P~20P

**Material**

Pin header : Brass, Tin plated  
 Housing : PA66, UL94V-0  
 Nut : M2.5, Brass

**Electrical**

Rated voltage : 300V  
 Rated current : 8A  
 Contact resistance : 20mΩ  
 Insulation resistance: 5000MΩ/DC1000V  
 Withstanding voltage: AC2000V/1Min

**Mechanical**

Temp. Range : -40°C~+105°C

**材质及电镀**

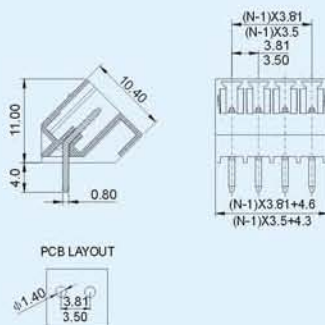
焊针 : 黄铜, 镀锡  
 塑件 : PA66, UL94V-0  
 螺母 : M2.5, 黄铜

**电气性能**

额定电压 : 300V  
 额定电流 : 8A  
 接触电阻 : 20mΩ  
 绝缘电阻 : 5000MΩ/DC1000V  
 耐电压 : AC2000V/1Min

**机械性能**

温度范围 : -40°C~+105°C



Pitch: 3.5mm, 3.81mm; Poles: 2P~24P

**Material**

Pin header : Brass, Tin plated  
 Housing : PA66, UL94V-0

**Electrical**

Rated voltage : 300V  
 Rated current : 8A  
 Contact resistance : 20mΩ  
 Insulation resistance: 5000MΩ/DC1000V  
 Withstanding voltage: AC2000V/1Min

**Mechanical**

Temp. Range : -40°C~+105°C

**材质及电镀**

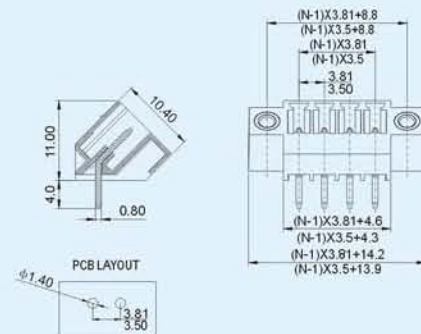
焊针 : 黄铜, 镀锡  
 塑件 : PA66, UL94V-0

**电气性能**

额定电压 : 300V  
 额定电流 : 8A  
 接触电阻 : 20mΩ  
 绝缘电阻 : 5000MΩ/DC1000V  
 耐电压 : AC2000V/1Min

**机械性能**

温度范围 : -40°C~+105°C



Pitch: 3.5mm, 3.81mm; Poles: 2P~20P

**Material**

Pin header : Brass, Tin plated  
 Housing : PA66, UL94V-0  
 Nut : M2.5, Brass

**Electrical**

Rated voltage : 300V  
 Rated current : 8A  
 Contact resistance : 20mΩ  
 Insulation resistance: 5000MΩ/DC1000V  
 Withstanding voltage: AC2000V/1Min

**Mechanical**

Temp. Range : -40°C~+105°C

**材质及电镀**

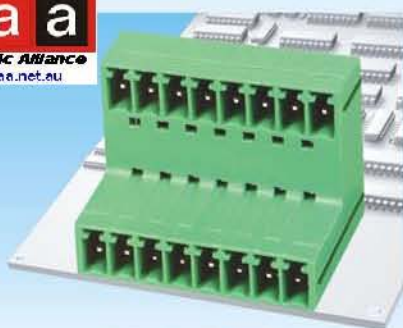
焊针 : 黄铜, 镀锡  
 塑件 : PA66, UL94V-0  
 螺母 : M2.5, 黄铜

**电气性能**

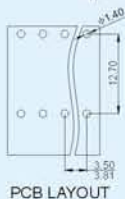
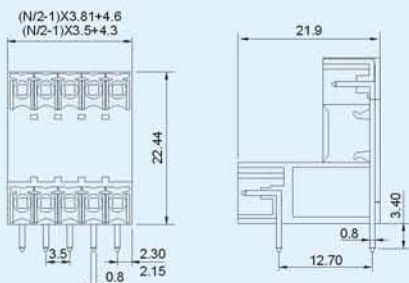
额定电压 : 300V  
 额定电流 : 8A  
 接触电阻 : 20mΩ  
 绝缘电阻 : 5000MΩ/DC1000V  
 耐电压 : AC2000V/1Min

**机械性能**

温度范围 : -40°C~+105°C



**15EDGRT-3.5**  
**15EDGRT-3.81**



Pitch: 3.5mm, 3.81mm; Poles: 2\*(2P~24P)

• **Material**

Pin header : Brass, Tin plated  
Housing : PA66, UL94V-0

• **Electrical**

Rated voltage : 300V  
Rated current : 8A  
Contact resistance : 20mΩ  
Insulation resistance: 5000MΩ/DC1000V  
Withstanding voltage: AC2000V/1Min

• **Mechanical**

Temp. Range : -40°C~+105°C

• **材质及电镀**

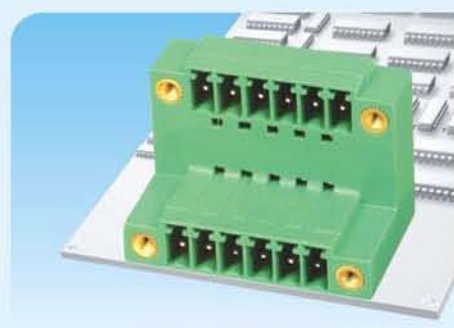
焊针 : 黄铜, 镀锡  
塑件 : PA66, UL94V-0

• **电气性能**

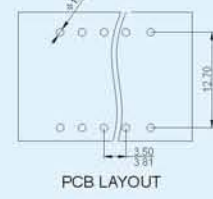
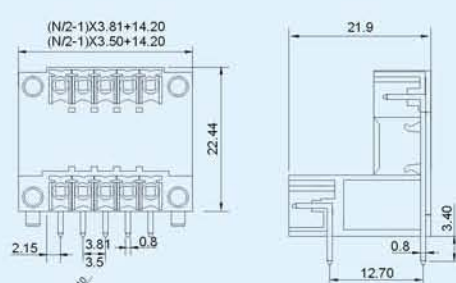
额定电压 : 300V  
额定电流 : 8A  
接触电阻 : 20mΩ  
绝缘电阻 : 5000MΩ/DC1000V  
耐电压 : AC2000V/1Min

• **机械性能**

温度范围 : -40°C~+105°C  
瞬时温度 : +250°C 5秒



**15EDGRTM-3.5**  
**15EDGRTM-3.81**



Pitch: 3.5mm, 3.81mm; Poles: 2\*(2P~20P)

• **Material**

Pin header : Brass, Tin plated  
Housing : PA66, UL94V-0  
Nut : M2.5, Brass

• **Electrical**

Rated voltage : 300V  
Rated current : 8A  
Contact resistance : 20mΩ  
Insulation resistance: 5000MΩ/DC1000V  
Withstanding voltage: AC2000V/1Min

• **Mechanical**

Temp. Range : -40°C~+105°C

• **材质及电镀**

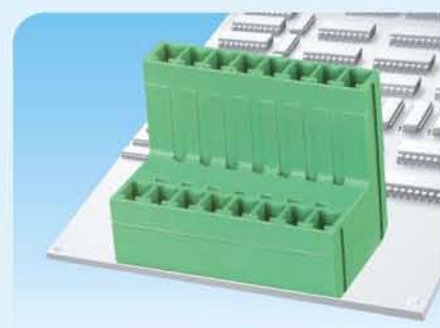
焊针 : 黄铜, 镀锡  
塑件 : PA66, UL94V-0  
螺母 : M2.5, 黄铜

• **电气性能**

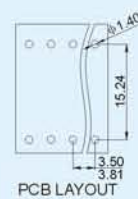
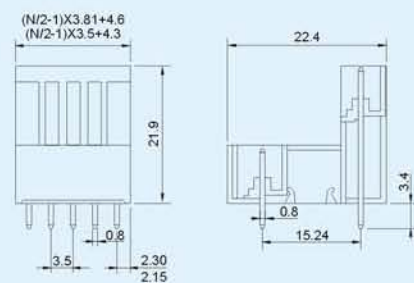
额定电压 : 300V  
额定电流 : 8A  
接触电阻 : 20mΩ  
绝缘电阻 : 5000MΩ/DC1000V  
耐电压 : AC2000V/1Min

• **机械性能**

温度范围 : -40°C~+105°C



**15EDGVT-3.5**  
**15EDGVT-3.81**



Pitch: 3.5mm, 3.81mm; Poles: 2\*(2P~24P)

• **Material**

Pin header : Brass, Tin plated  
Housing : PA66, UL94V-0

• **Electrical**

Rated voltage : 300V  
Rated current : 8A  
Contact resistance : 20mΩ  
Insulation resistance: 5000MΩ/DC1000V  
Withstanding voltage: AC2000V/1Min

• **Mechanical**

Temp. Range : -40°C~+105°C

• **材质及电镀**

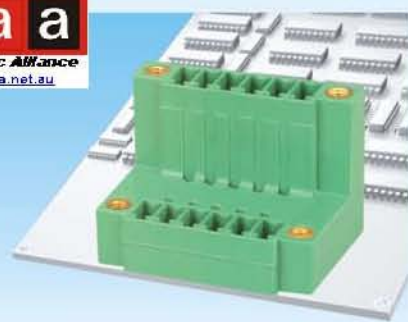
焊针 : 黄铜, 镀锡  
塑件 : PA66, UL94V-0

• **电气性能**

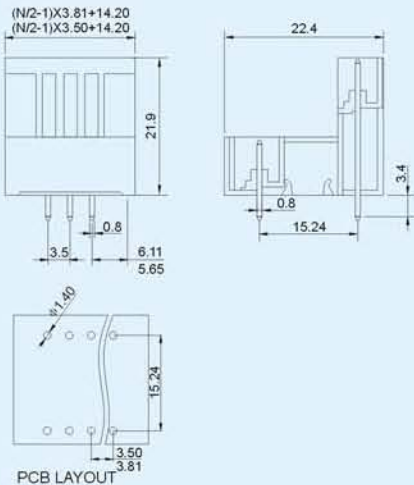
额定电压 : 300V  
额定电流 : 8A  
接触电阻 : 20mΩ  
绝缘电阻 : 5000MΩ/DC1000V  
耐电压 : AC2000V/1Min

• **机械性能**

温度范围 : -40°C~+105°C



**15EDGVTM-3.5**  
**15EDGVTM-3.81**



Pitch: 3.5mm, 3.81mm; Poles: 2\*(2P~20P)

**Material**

Pin header : Brass, Tin plated  
Housing : PA66, UL94V-0  
Nut : M2.5, Brass

**Electrical**

Rated voltage : 300V  
Rated current : 8A  
Contact resistance : 20mΩ  
Insulation resistance: 5000MΩ/DC1000V  
Withstanding voltage: AC2000V/1Min

**Mechanical**

Temp.Range : -40°C~+105°C

**材质及电镀**

焊针 : 黄铜, 镀锡  
塑件 : PA66, UL94V-0  
螺母 : M2.5, 黄铜

**电气性能**

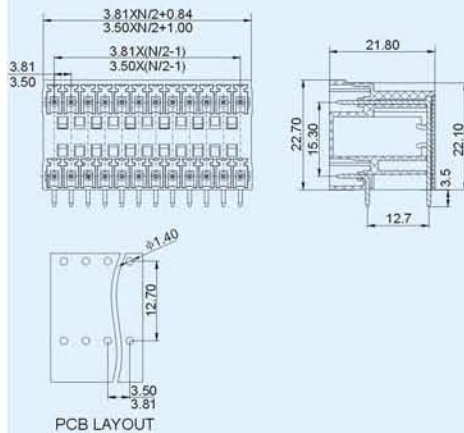
额定电压 : 300V  
额定电流 : 8A  
接触电阻 : 20mΩ  
绝缘电阻 : 5000MΩ/DC1000V  
耐电压 : AC2000V/1Min

**机械性能**

温度范围 : -40°C~+105°C



**15EDGRH-3.5**  
**15EDGRH-3.81**



Pitch: 3.5mm, 3.81mm; Poles: 2\*(2P~24P)

**Material**

Pin header : Brass, Tin plated  
Housing : PA66, UL94V-0

**Electrical**

Rated voltage : 300V  
Rated current : 8A  
Contact resistance : 20mΩ  
Insulation resistance: 5000MΩ/DC1000V  
Withstanding voltage: AC2000V/1Min

**Mechanical**

Temp.Range : -40°C~+105°C

**材质及电镀**

焊针 : 黄铜, 镀锡  
塑件 : PA66, UL94V-0

**电气性能**

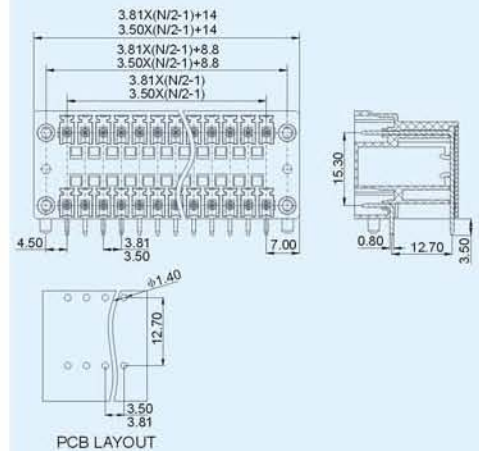
额定电压 : 300V  
额定电流 : 8A  
接触电阻 : 20mΩ  
绝缘电阻 : 5000MΩ/DC1000V  
耐电压 : AC2000V/1Min

**机械性能**

温度范围 : -40°C~+105°C



**15EDGRHM-3.5**  
**15EDGRHM-3.81**



Pitch: 3.5mm, 3.81mm; Poles: 2\*(2P~20P)

**Material**

Pin header : Brass, Tin plated  
Housing : PA66, UL94V-0  
Nut : M2.5, Brass

**Electrical**

Rated voltage : 300V  
Rated current : 8A  
Contact resistance : 20mΩ  
Insulation resistance: 5000MΩ/DC1000V  
Withstanding voltage: AC2000V/1Min

**Mechanical**

Temp.Range : -40°C~+105°C

**材质及电镀**

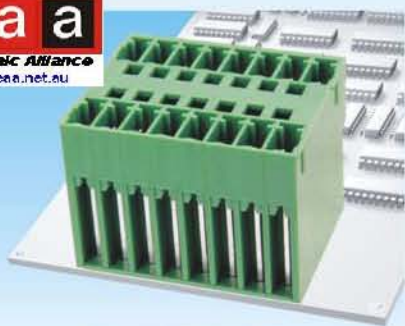
焊针 : 黄铜, 镀锡  
塑件 : PA66, UL94V-0  
螺母 : M2.5, 黄铜

**电气性能**

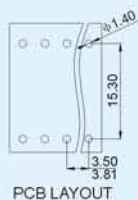
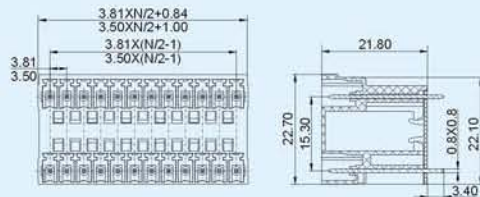
额定电压 : 300V  
额定电流 : 8A  
接触电阻 : 20mΩ  
绝缘电阻 : 5000MΩ/DC1000V  
耐电压 : AC2000V/1Min

**机械性能**

温度范围 : -40°C~+105°C



**15EDGVH-3.5**  
**15EDGVH-3.81**



Pitch: 3.5mm, 3.81mm; Poles: 2\*(2P~24P)

**Material**

Pin header : Brass, Tin plated  
Housing : PA66, UL94V-0

**Electrical**

Rated voltage : 300V  
Rated current : 8A  
Contact resistance : 20mΩ  
Insulation resistance: 5000MΩ/DC1000V  
Withstanding voltage: AC2000V/1Min

**Mechanical**

Temp.Range : -40°C~+105°C

**材质及电镀**

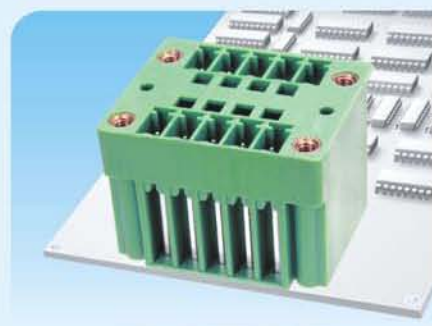
焊针 : 黄铜, 镀锡  
塑件 : PA66, UL94V-0

**电气性能**

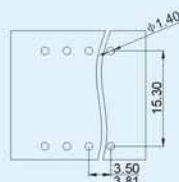
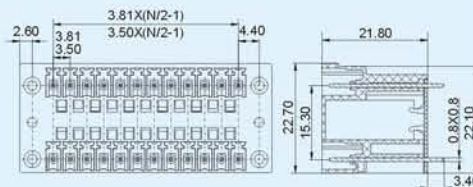
额定电压 : 300V  
额定电流 : 8A  
接触电阻 : 20mΩ  
绝缘电阻 : 5000MΩ/DC1000V  
耐电压 : AC2000V/1Min

**机械性能**

温度范围 : -40°C~+105°C



**15EDGVHM-3.5**  
**15EDGVHM-3.81**



Pitch: 3.5mm, 3.81mm; Poles: 2\*(2P~20P)

**Material**

Pin header : Brass, Tin plated  
Housing : PA66, UL94V-0  
Nut : M2.5, Brass

**Electrical**

Rated voltage : 300V  
Rated current : 8A  
Contact resistance : 20mΩ  
Insulation resistance: 5000MΩ/DC1000V  
Withstanding voltage: AC2000V/1Min

**Mechanical**

Temp.Range : -40°C~+105°C

**材质及电镀**

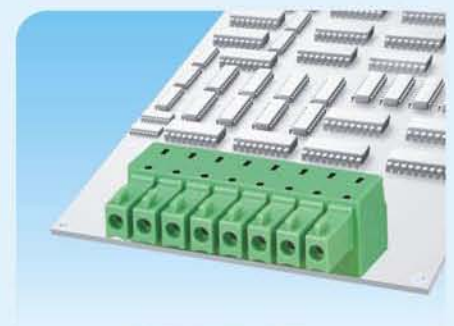
焊针 : 黄铜, 镀锡  
塑件 : PA66, UL94V-0  
螺母 : M2.5, 黄铜

**电气性能**

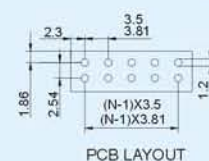
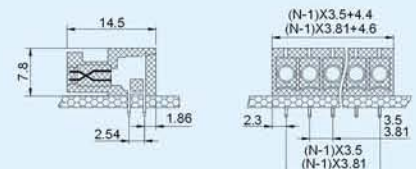
额定电压 : 300V  
额定电流 : 8A  
接触电阻 : 20mΩ  
绝缘电阻 : 5000MΩ/DC1000V  
耐电压 : AC2000V/1Min

**机械性能**

温度范围 : -40°C~+105°C



**15EDGA-3.5**  
**15EDGA-3.81**



Pitch: 3.5mm, 3.81mm; Poles: 2P~24P

**Material**

Contact : Brass, Tin plated  
Housing : PA66, UL94V-0

**Electrical**

Rated voltage : 300V  
Rated current : 8A  
Contact resistance : 20mΩ  
Insulation resistance: 5000MΩ/DC1000V  
Withstanding voltage: AC2000V/1Min

**Mechanical**

Temp.Range : -40°C~+105°C

**材质及电镀**

触点材料: 黄铜, 镀锡  
塑件 : PA66, UL94V-0

**电气性能**

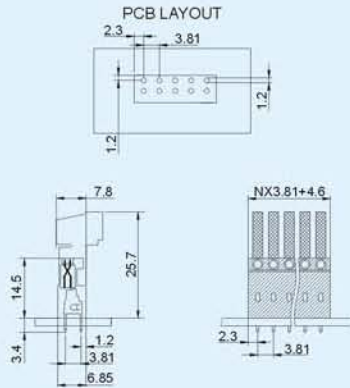
额定电压 : 300V  
额定电流 : 8A  
接触电阻 : 20mΩ  
绝缘电阻 : 5000MΩ/DC1000V  
耐电压 : AC2000V/1Min

**机械性能**

温度范围 : -40°C~+105°C



**15EDGB-3.5**  
**15EDGB-3.81**



Pitch:3.5mm,3.81mm;Poles:2P~24P

● **Material**

Contact : Brass,Tin plated  
Housing : PA66,UL94V-0

● **Electrical**

Rated voltage : 300V  
Rated current : 8A  
Contact resistance : 20mΩ  
Insulation resistance : 5000MΩ/DC1000V  
Withstanding voltage: AC2000V/1Min

● **Mechanical**

Temp.Range :-40°C~+105°C

● **材质及电镀**

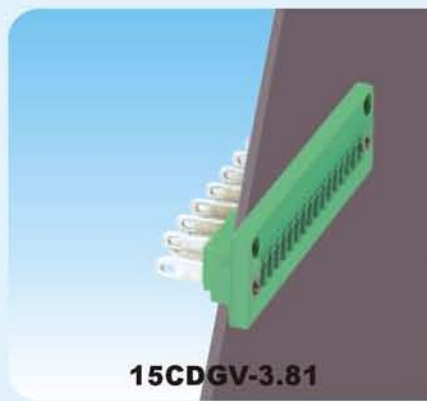
触点材料: 黄铜, 镀锡  
塑件 : PA66, UL94V-0

● **电气性能**

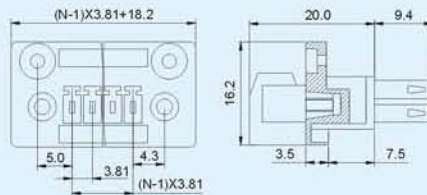
额定电压: 300V  
额定电流: 8A  
接触电阻: 20mΩ  
绝缘电阻: 5000MΩ/DC1000V  
耐电压 : AC2000V/1Min

● **机械性能**

温度范围: -40°C~+105°C



**15CDGV-3.81**



Pitch:3.81mm;Poles:2P~20P

● **Material**

Contact : Brass, Tin plated  
Housing : PA66, UL94V-0

● **Electrical**

Rated voltage : 300V  
Rated current : 8A  
Contact resistance : 20mΩ  
Insulation resistance : 5000MΩ/DC1000V  
Withstanding voltage: AC2000V/1Min

● **Mechanical**

Temp.Range :-40°C~+105°C  
Strip length : 7-8mm

● **材质及电镀**

触点材料: 黄铜, 镀锡  
塑件 : PA66, UL94V-0

● **电气性能**

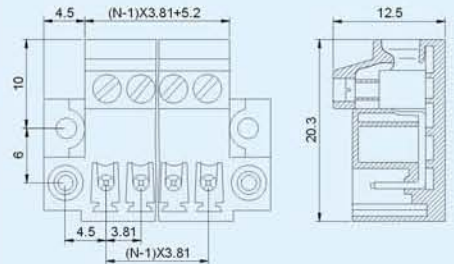
额定电压: 300V  
额定电流: 8A  
接触电阻: 20mΩ  
绝缘电阻: 5000MΩ/DC1000V  
耐电压 : AC2000V/1Min

● **机械性能**

温度范围: -40°C~+105°C  
剥线长度: 7-8mm



**15EDG-GBM-3.81**



Pitch:3.81mm;Poles:2P~24P

● **Material**

Screws : M2 steel Zinc plated  
Contact : Brass, Tin plated  
Housing : PA66, UL94V-0

● **Electrical**

Rated voltage : 300V  
Rated current : 8A  
Contact resistance : 20mΩ  
Insulation resistance : 5000MΩ/DC1000V  
Withstanding voltage: AC2000V/1Min  
Wire range : 28-16AWG 1.5mm<sup>2</sup>

● **Mechanical**

Temp.Range :-40°C~+105°C  
Torque : 0.2Nm(1.7lb.in)  
Strip length : 7-8mm

● **材质及电镀**

螺丝 : M2, 钢, 镀锌  
触点材料: 黄铜, 镀锡  
塑件 : PA66, UL94V-0

● **电气性能**

额定电压: 300V  
额定电流: 8A  
接触电阻: 20mΩ  
绝缘电阻: 5000MΩ/DC1000V  
耐电压 : AC2000V/1Min  
使用线径: 28-16AWG 1.5mm<sup>2</sup>

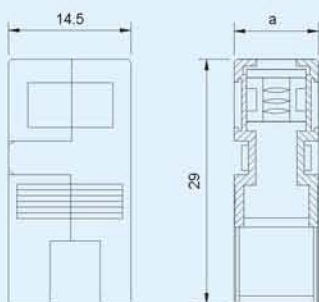
● **机械性能**

温度范围: -40°C~+105°C  
扭矩 : 0.2Nm(1.7lb.in)  
剥线长度: 7-8mm





**15EDGXA-3.81**



Pitch:3.81mm;Poles:2P~5P

● **Material**

Housing : ABS, UL94V-0

● **Mechanical**

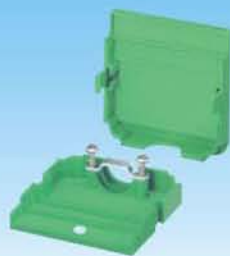
Temp.Range : -40°C~+105°C

● **材质及电镀**

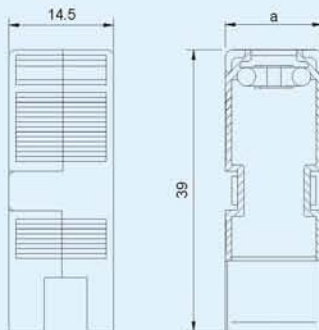
塑件 : ABS, UL94V-0

● **机械性能**

温度范围: -40°C~+105°C



**15EDGXB-3.81**



Pitch:3.81mm;Poles:6P~16P

● **Material**

Housing : ABS, UL94V-0

● **Mechanical**

Temp.Range : -40°C~+105°C

● **材质及电镀**

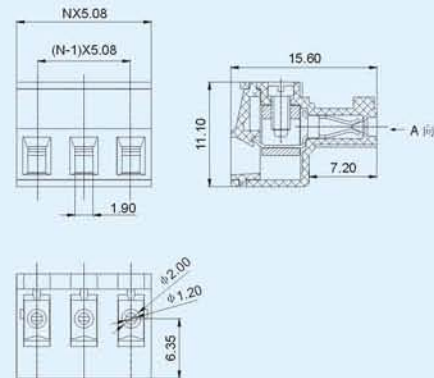
塑件 : ABS, UL94V-0

● **机械性能**

温度范围: -40°C~+105°C



**15EDGK-5.08**



A 向视图

Pitch:5.08mm;Poles:2P~12P

● **Material**

Screws : M2 steel Zinc plated

Contact : Phosphor bronze

Housing : PA66, UL94V-0

● **Electrical**

Rated voltage : 300V

Rated current : 8A

Contact resistance : 20mΩ

Insulation resistance: 5000MΩ / DC1000V

Withstanding voltage: AC2000V/1Min

Wire range : 28-16AWG 1.5mm<sup>2</sup>

● **Mechanical**

Temp.Range : -40°C~+105°C

Torque : 0.2Nm(1.7lb.in)

Strip length : 6-7mm

● **材质及电镀**

螺丝 : M2, 钢, 镀锌

触点材料: 磷青铜

塑件 : PA66, UL94V-0

● **电气性能**

额定电压 : 300V

额定电流 : 8A

接触电阻 : 20mΩ

绝缘电阻 : 5000MΩ / DC 1000V

耐电压 : AC2000V / 1Min

使用线径 : 28-16AWG 1.5mm<sup>2</sup>

● **机械性能**

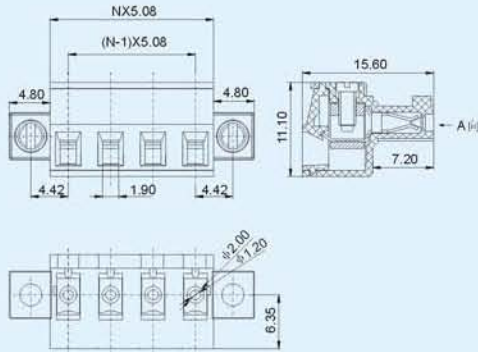
温度范围 : -40°C~+105°C

扭矩 : 0.2Nm(1.7lb.in)

剥线长度 : 6-7mm



**15EDGKM-5.08**



Pitch:5.08mm;Poles:2P~12P

• **Material**

Screws : M2 steel Zinc plated  
Contact : Phosphor bronze  
Housing : PA66, UL94V-0

• **Electrical**

Rated voltage : 300V  
Rated current : 8A  
Contact resistance : 20mΩ  
Insulation resistance: 5000MΩ / DC1000V  
Withstanding voltage: AC2000V/1Min  
Wire range : 28-16AWG 1.5mm<sup>2</sup>

• **Mechanical**

Temp.Range : -40°C~+105°C  
Torque : 0.2Nm(1.7lb.in)  
Strip length : 6-7mm

• **材质及电镀**

螺丝 : M2, 钢, 镀锌  
触点材料: 磷青铜  
塑件 : PA66, UL94V-0

• **电气性能**

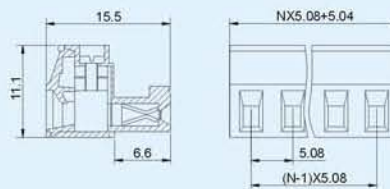
额定电压 : 300V  
额定电流 : 8A  
接触电阻 : 20mΩ  
绝缘电阻 : 5000MΩ / DC1000V  
耐电压 : AC2000V/1Min  
使用线径 : 28-16AWG 1.5mm<sup>2</sup>

• **机械性能**

温度范围 : -40°C~+105°C  
扭矩 : 0.2Nm(1.7lb.in)  
剥线长度 : 6-7mm



**15EDGKF-5.08**



Pitch:5.08mm;Poles:2P~12P

• **Material**

Screws : M2 steel Zinc plated  
Contact : Phosphor bronze  
Housing : PA66, UL94V-0

• **Electrical**

Rated voltage : 300V  
Rated current : 8A  
Contact resistance : 20mΩ  
Insulation resistance: 5000MΩ / DC1000V  
Withstanding voltage: AC2000V/1Min  
Wire range : 28-16AWG 1.5mm<sup>2</sup>

• **Mechanical**

Temp.Range : -40°C~+105°C  
Torque : 0.2Nm(1.7lb.in)  
Strip length : 6-7mm

• **材质及电镀**

螺丝 : M2, 钢, 镀锌  
触点材料: 磷青铜  
塑件 : PA66, UL94V-0

• **电气性能**

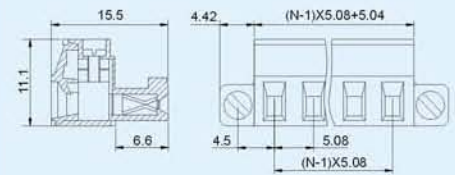
额定电压 : 300V  
额定电流 : 8A  
接触电阻 : 20mΩ  
绝缘电阻 : 5000MΩ / DC1000V  
耐电压 : AC2000V/1Min  
使用线径 : 28-16AWG 1.5mm<sup>2</sup>

• **机械性能**

温度范围 : -40°C~+105°C  
扭矩 : 0.2Nm(1.7lb.in)  
剥线长度 : 6-7mm



**15EDGKFM-5.08**



Pitch:5.08mm;Poles:2P~12P

• **Material**

Screws : M2 steel Zinc plated  
Contact : Phosphor bronze  
Housing : PA66, UL94V-0

• **Electrical**

Rated voltage : 300V  
Rated current : 8A  
Contact resistance : 20mΩ  
Insulation resistance: 5000MΩ / DC1000V  
Withstanding voltage: AC2000V/1Min  
Wire range : 28-16AWG 1.5mm<sup>2</sup>

• **Mechanical**

Temp.Range : -40°C~+105°C  
Torque : 0.2Nm(1.7lb.in)  
Strip length : 6-7mm

• **材质及电镀**

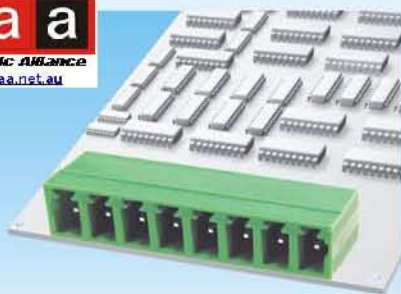
螺丝 : M2, 钢, 镀锌  
触点材料: 磷青铜  
塑件 : PA66, UL94V-0

• **电气性能**

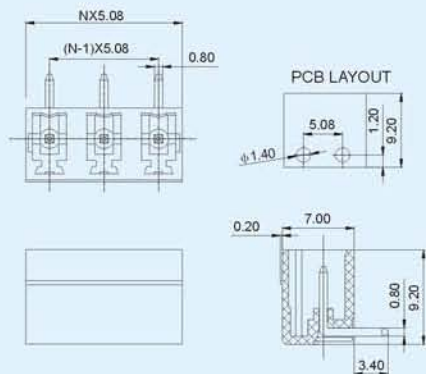
额定电压 : 300V  
额定电流 : 8A  
接触电阻 : 20mΩ  
绝缘电阻 : 5000MΩ / DC1000V  
耐电压 : AC2000V/1Min  
使用线径 : 28-16AWG 1.5mm<sup>2</sup>

• **机械性能**

温度范围 : -40°C~+105°C  
扭矩 : 0.2Nm(1.7lb.in)  
剥线长度 : 6-7mm



**15EDGRC-5.08**



Pitch:5.08mm;Poles:2P~12P

● **Material**

Pin header : Brass, Tin plated  
Housing : PA66,UL94V-0

● **Electrical**

Rated voltage : 300V  
Rated current : 8A  
Contact resistance : 20m $\Omega$   
Insulation resistance: 5000M $\Omega$ /DC1000V  
Withstanding voltage: AC2000V/1Min

● **Mechanical**

Temp.Range : -40 $^{\circ}$ C~+105 $^{\circ}$ C

● **材质及电镀**

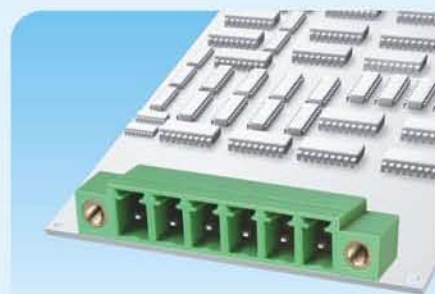
焊针 : 黄铜, 镀锡  
塑件 : PA66, UL94V-0

● **电气性能**

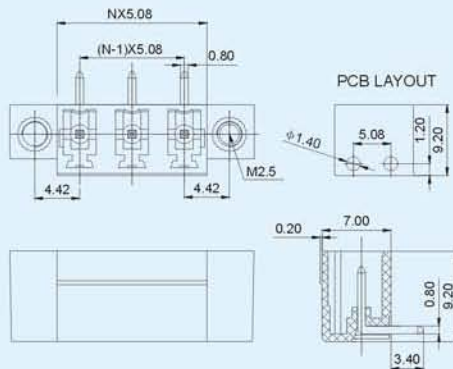
额定电压 : 300V  
额定电流 : 8A  
接触电阻 : 20m $\Omega$   
绝缘电阻 : 5000M $\Omega$ /DC1000V  
耐电压 : AC2000V/1Min

● **机械性能**

温度范围 : -40 $^{\circ}$ C~+105 $^{\circ}$ C



**15EDGRM-5.08**



Pitch:5.08mm;Poles:2P~12P

● **Material**

Pin header : Brass, Tin plated  
Housing : PA66,UL94V-0  
Nut : M2.5, Brass

● **Electrical**

Rated voltage : 300V  
Rated current : 8A  
Contact resistance : 20m $\Omega$   
Insulation resistance: 5000M $\Omega$ /DC1000V  
Withstanding voltage: AC2000V/1Min

● **Mechanical**

Temp.Range : -40 $^{\circ}$ C~+105 $^{\circ}$ C

● **材质及电镀**

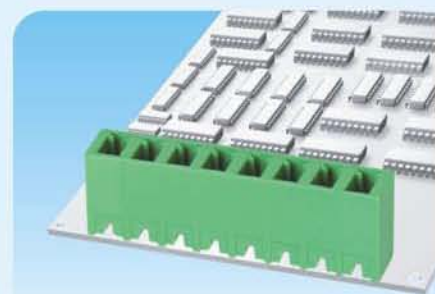
焊针 : 黄铜, 镀锡  
塑件 : PA66, UL94V-0  
螺母 : M2.5, 黄铜

● **电气性能**

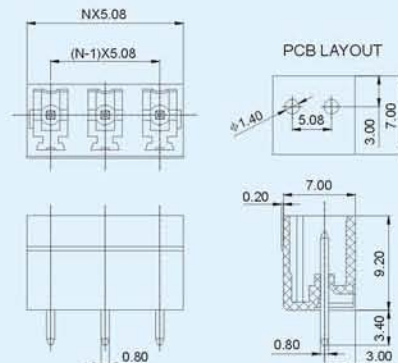
额定电压 : 300V  
额定电流 : 8A  
接触电阻 : 20m $\Omega$   
绝缘电阻 : 5000M $\Omega$ /DC1000V  
耐电压 : AC2000V/1Min

● **机械性能**

温度范围 : -40 $^{\circ}$ C~+105 $^{\circ}$ C



**15EDGVC-5.08**



Pitch:5.08mm;Poles:2P~12P

● **Material**

Pin header : Brass, Tin plated  
Housing : PA66,UL94V-0

● **Electrical**

Rated voltage : 300V  
Rated current : 8A  
Contact resistance : 20m $\Omega$   
Insulation resistance: 5000M $\Omega$ /DC1000V  
Withstanding voltage: AC2000V/1Min

● **Mechanical**

Temp.Range : -40 $^{\circ}$ C~+105 $^{\circ}$ C

● **材质及电镀**

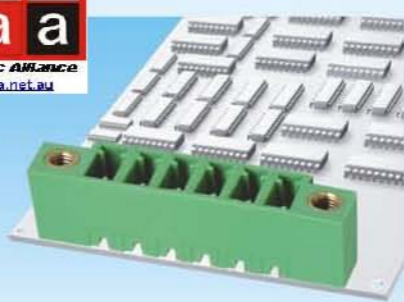
焊针 : 黄铜, 镀锡  
塑件 : PA66, UL94V-0

● **电气性能**

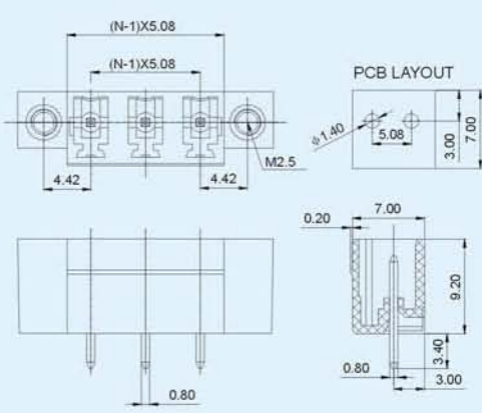
额定电压 : 300V  
额定电流 : 8A  
接触电阻 : 20m $\Omega$   
绝缘电阻 : 5000M $\Omega$ /DC1000V  
耐电压 : AC2000V/1Min

● **机械性能**

温度范围 : -40 $^{\circ}$ C~+105 $^{\circ}$ C



## 15EDGVM-5.08



Pitch:5.08mm;Poles:2P~12P

- **Material**  
 Pin header : Brass, Tin plated  
 Housing : PA66,UL94V-0  
 Nut : M2.5, Brass
- **Electrical**  
 Rated voltage : 300V  
 Rated current : 8A  
 Contact resistance : 20mΩ  
 Insulation resistance: 5000MΩ/DC1000V  
 Withstanding voltage: AC2000V/1Min
- **Mechanical**  
 Temp.Range : -40°C~+105°C

- **材质及电镀**  
 焊针 : 黄铜, 镀锡  
 塑件 : PA66, UL94V-0  
 螺母 : M2.5, 黄铜
- **电气性能**  
 额定电压 : 300V  
 额定电流 : 8A  
 接触电阻 : 20mΩ  
 绝缘电阻 : 5000MΩ/DC1000V  
 耐电压 : AC2000V/1Min
- **机械性能**  
 温度范围 : -40°C~+105°C